

SPECIFICATION

LED SOURCE	
Light Aperture	Ø72 mm / 2.8"
LED Power Draw	150W
LED Colors	RGBT
Beam Angle	120°
LIGHT ENGINE	
Rayzr Light Engine	
White Light Mode	
Ultra White Light	2,800K - 6,500K continuously variable Correlated Color Temperature Color temperature tolerance (±100K nominal) ±1/8 Green-Magenta (nominal) Color rendition up to TLCI 94, CRI 95, TM-30 RF 92, TM-30 RG 102, CQS 93
CCT	2,400K - 13,000K continuously variable Correlated Color Temperature
Ext. CCT	1,500K - 30,000K tunable white light
Green / Magenta Correction	Continuously adjustable (full Minusgreen to full Plusgreen)
Digital Gel Library	Color correction, Creative color filters, Cine filters, Cosmetic filters and more standard filters
Color Light Mode	
HSI	Full RGB+W color gamut with Hue and Saturation control 90% area of ITU-R BT.2020
x,y Coordinates	CIE 1931 xy values
RGB	RGBW
Special Effects	Candle, Clouds, Club, ColorChase, CopCar, Fire, Fireworks, Fluorescent, Lightning, LightStrobe, Paparazzi, Party, Pulsing, Television, Welding
Other Functions	
Power Variation	0-100% continuously
Dimming Curves	Linear, Exponential, Logarithmic, S-Curve
PWM Frequency Adjust	16,000Hz - 32,000Hz
High Speed	Up to 8,000 FPS flicker free
User Recalibratable	Color shift correction
CONTROL / CONNECTIVITY	
On-Board Controller	✓
Wireless Control	RTctrl ecosystem compatible Bluetooth RTctrl (built-in)
POWER / CONNECTION	
Power Consumption	180W max (fan mode: Boost, power mode: AC adapter, power V-mount)
Input Voltage Range	12-24V DC
Input Current	Maximum 15A@12V DC, Nominal 10A@18V DC
Power Mode	AC adapter (auto config, 100% output), Power V-mount battery (100% output), V-mount battery, Power-NPF*2 battery, NPF*2 battery
Lamphead Power Connection	Male 4-Pin XLR - 10 Amp (Pin 1,2: negative / Pin 3,4: positive)
Battery Connector	Female 4-Pin XLR - 10 Amp (Pin 1,2: negative / Pin 3,4: positive)

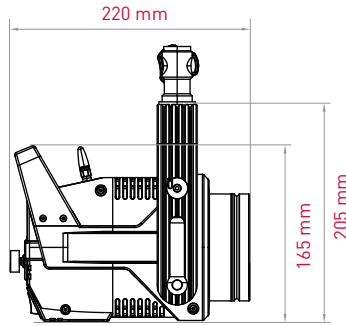
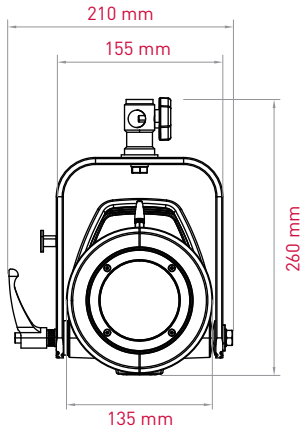
PHYSICAL	
Weight w/o Yoke	Approx. 1.7 kg / 3.7 lbs
Weight with normal Yoke	Approx. 2.0 kg / 4.4 lbs
Dimensions(HxWxL) w/o Yoke	220x135x165 mm / 8.7x5.3x6.5"
Dimensions(HxWxL) with normal Yoke incl. Pin	220x210x260 mm / 8.7x8.3x10.2"
Dimensions(HxWxL) with normal Yoke excl. Pin	220x210x205 mm / 8.7x8.3x8.0"
Handling	Aluminium yoke: high-strength tilt lock
Mounting	16mm / 28mm Combo Pin (Baby 5/8 inch / Junior 1-1/8 inch Combo Pin)
Tilt Angle	180°
GENERAL	
Accessory Mount	Magnetic mount, Ø10cm Profoto® compatible mount, Click-in mount
User Firmware Upgradeable	Through mini USB, via Bluetooth connected RTctrl APP
Thermal Design	Active/4 cooling fan modes
	Boost (max)
	Variable (temperature controlled)
	Quiet (const ultra quiet)
	NO FAN (off)
Protection Class	IP20
Estimated LED Lifetime (L70)	50,000 hours
Estimated Color Shift Over Lifetime (CCT)	± 5 % user recalibratable
Ambient Temperature Operation	-20 ~ 45° C (-4 ~ 113° F)
Certification & Declarations of Conformity	CE, FCC, RoHS
POWER SUPPLY UNIT	
Maximum Output Power	180W @10A 18V
Power Supply Input Range	110 - 240V AC, 50/60 Hz / 2A max
Power Supply Output Range	18V DC
Power Input Connection	IEC C13 angled power cable (EU/UK cables available)
Power Output Connection	Female XLR-4- 10 Amp(Pin 1: negative / Pin 2: positive)
Mounting	Male V-mount
Weight	Approx. 0.8 kg / 1.8 lbs
Dimensions (HxWxL)	192x83x50 mm / 7.6x3.3x2.0"
Certifications	CE, FCC, UL, RoHS

All specifications are nominal / typical values.

DIMENSIONS

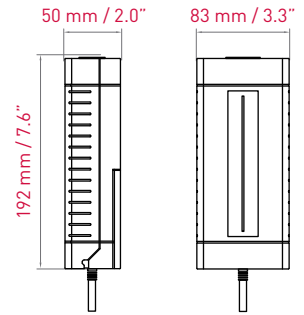
PERAGOS Head 150C Multi-color RGBW LED Monolight (Black), 18V 10A V-mount AC Adapter, 3m IEC C13 Angled To EU/UK Power Cable

Item No.	16011202 (EU/UK)	EAN Code	4250972503801 (EU/UK)	Package Weight	4.4 kg
----------	------------------	----------	-----------------------	----------------	--------



Power Supply Unit

Item No.	20202064
----------	----------



Note Protection Mark according to DIN 34

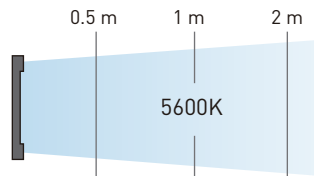
PHOTOMETRIC DATA (preliminary results)

180W, Fan Mode: Boost

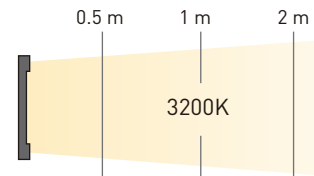
PERAGOS Head 150C Openface



120° Beam Angle



Illuminance Footcandles F-stop*	17824 lux	4456 lux	1114 lux
	1656 fc	414 fc	104 fc
	29.7	14.9	7.4

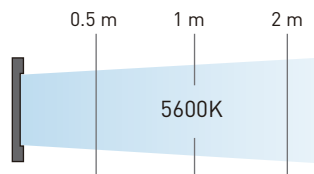


Illuminance Footcandles F-stop*	18693 lux	4673 lux	1168 lux
	1737 fc	434 fc	109 fc
	30.4	15.2	7.6

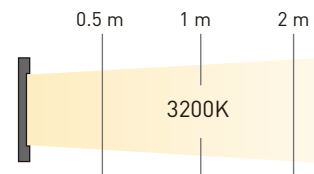
PERAGOS Head 150C with Parabol 60 Intensifier 45°



45° Beam Angle



Illuminance Footcandles F-stop*	25286 lux	6322 lux	1580 lux
	2349 fc	587 fc	147 fc
	35.4	17.7	8.8



Illuminance Footcandles F-stop*	26519 lux	6630 lux	1657 lux
	2464 fc	616 fc	154 fc
	36.2	18.1	9.1

*The F-stop's value calculate by Din400, 1/60s (60fps, 180° shutter)

