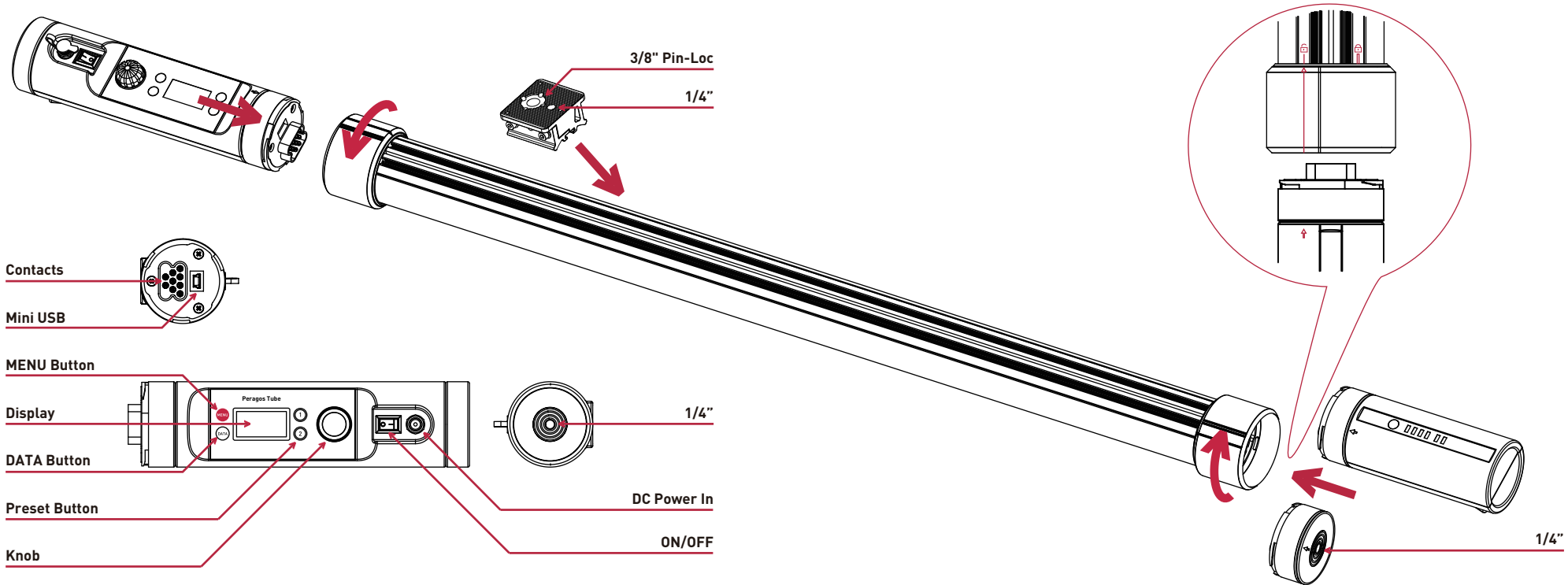


VIBESTA

For more information visit: vibesta.com 



> Interface



MENU Press to go into Main Menu

Knob **Press** To confirm / return

Knob  To adjust

Preset

DATA + **F1** / **F2** To **Save** the light parameters in a preset

F1 / **F2** To **Recall** a saved preset

Check the firmware version

DATA Press 3 seconds to check the firmware version