
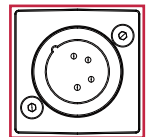
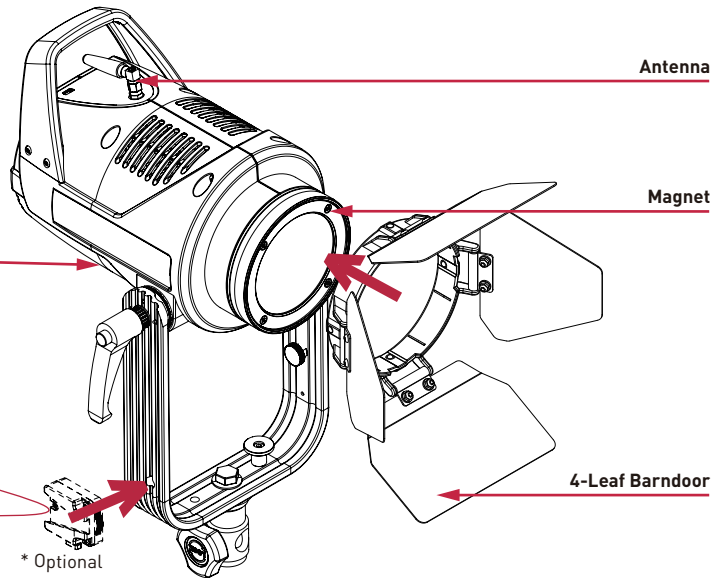


VIBESTA

For more information visit: vibesta.com 



Power In



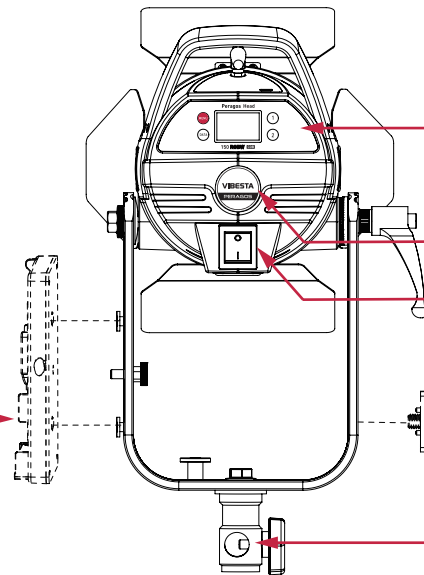
Antenna

Magnet

4-Leaf Barndoor

* Optional

AC Adapter



Display

Function Knob

ON/OFF

V-Lock Mount
with 3/8"-16*

* Optional


16mm/28mm Combo Pin


V-mount
Battery Plate*

* Optional

> Interface



 Press to go into Main Menu

 **Press** To confirm / return


 To adjust

Preset

 +  /  To **Save** the light parameters in a preset

 /  To **Recall** a saved preset

Check the firmware version

 Press 3 seconds to check the firmware version